

G8810 Cabinet Lock

Features

- Brass cylinder lock with stainless steel body
- Construction key system: Key number is changeable without replacing cylinder (key number can be changed twice)
- Reversible key can be removed when locked and unlocked (360° rotation)
- Master key (made-to-order) is available
- 3 million key changes available (max. 300 key changes per master key)
- Key number unchanged variant (made-to-order) also available (max. 3,000 key changes / master key)

Notes

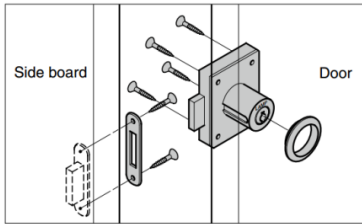
- Previous key becomes invalid by using a new key
- Previous key and key number cannot be used again after changing key number
- Key number can be changed twice

Sold Separately

- Master key (made-to-order), 1st change key (made-to-order) and 2nd change key (made-to-order)
- Spacer **G6810-SP**

Parts Included

- Countersunk head wood screw 3.1 × 25 (for body)
- Countersunk head wood screw 3.1 × 13 (for strike)



How to Change Key

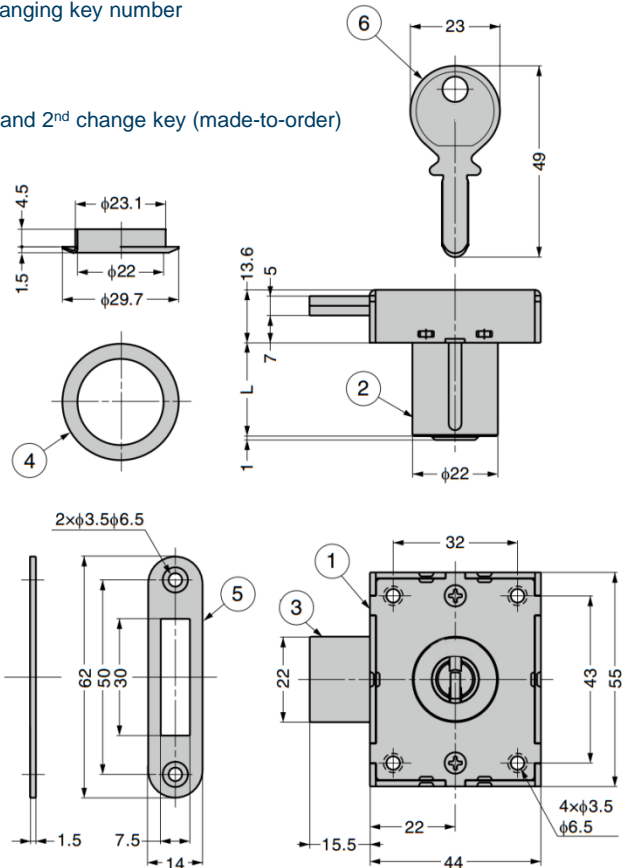
- Each lock includes keys for the original key number only
- There are three kinds of keys: Original key, 1st change key and 2nd change key
- 1st and 2nd change keys are sold separately (made-to-order)
- For the first key number change, insert the 1st change key and rotate 360°
- For the second key number change, insert the 2nd change key and rotate 360°
- After using the 1st change key, the original key cannot open the lock. Likewise, when the 2nd change key is used, the 1st change key will be invalid

Combined Usage with Key and Master Key

- There are also three kinds of Master Keys: Original Master Key, Master Keys for 1st change and 2nd change
- Master Keys must also be changed after the lock's key number is changed
- All key numbers will be changed by using new master key
- In event only some of the locks' key numbers in Master Key system are changed, master keys for that portion should still be kept



G8810-24



No.	Part Name	Material	Finish/Colour
①	Body	Stainless Steel (SUS304)	Satin
②	Cylinder	Brass	Nickel
③	Dead Bolt	Stainless Steel (SUS304)	-
④	Ring	Brass	Satin Nickel
⑤	Strike	Stainless Steel (SUS304)	Satin
⑥	Key	Nickel Silver	Barrel Polished

Part No.	Key Type	Cylinder Diameter	Door Thickness	L
G8810-24MK-B	Keyed Differently, With Master Key System	22	22 ~ 24	24
G8810-24-B	Keyed Differently, Without Master Key System			
G8810-24-D	Keyed Alike			
G8810-36MK-B	Keyed Differently, With Master Key System		34 ~ 36	36
G8810-36-B	Keyed Differently, Without Master Key System			
G8810-36-D	Keyed Alike			